

RETROFIT

—||| SOLUTIONS |||—

RETROFIT

—||| SOLUTIONS |||—

PRODUCT CATALOG



2511 Midpark Road • Montgomery, AL 36109

Phone 800-466-3007 • www.airteq.com

Revised 9/28/2022

RETRO LOCKS - ADTEC DOOR PREP A

- 9912S-AD (2121) Solenoid Operated Electro-Mechanical Deadlatch Replacement A1-A2
- 9912M-AD(2123) Motor Operated Electro-Mechanical Deadlatch ReplacementA3-A4
- 9924-AD (2124) Motor Operated (24 VDC) Electro-Mechanical Deadlatch Replacement A5-A6

RETRO LOCKS - SOUTHERN STEEL DOOR PREP B

- 9400-SS (SSCO 1100) Airlock B1-B2
- 9912S-SS (SSCO 10120E) Solenoid Operated Electro-Mechanical Deadlatch ReplacementB3-B4
- 9912M-SS (SSCO 10120M) Motor Operated Electro-Mechanical Deadlatch ReplacementB5-B6
- 9924-SS (SSCO 10120M 24VDC) Motor Operated Electro-Mechanical Deadlatch Replacement B7-B8
- 9912S-SSA (SSCO 10120AE) Solenoid Operated Electro-Mechanical Deadlatch Replacement B9-B10
- 9912M-SSA (SSCO 10120AM) Motor Operated Electro-Mechanical Deadlatch ReplacementB11-B12
- 9924-SSA (SSCO 10120AM 24VDC) Motor Operated Electro-Mechanical Deadlatch Replacement . . B13-B14

RETRO LOCKS - PORTLAND HARDWARE DOOR PREP C

- 9500-PH (PH 500) Airlock C1-C2
Availabe 6/15/2024

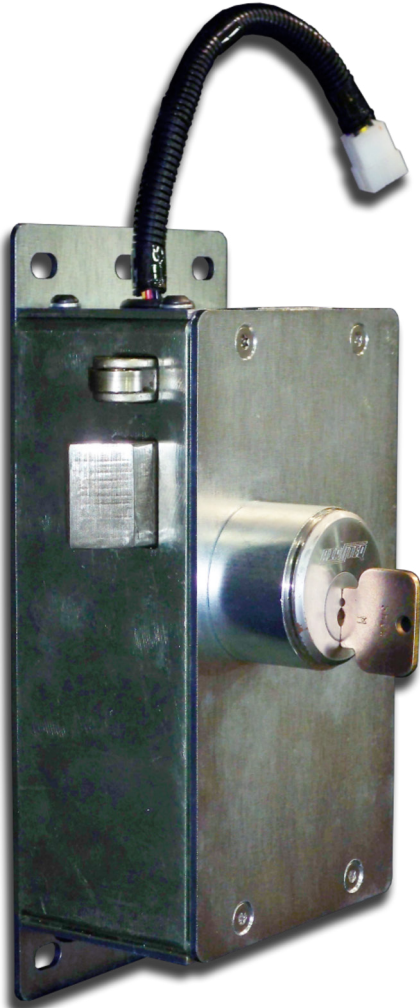
ACCESSORIES AC

- Airteq Defender Surface Mounted RetrofitAC1
- 9500 Series Surface Mounted RetrofitAC2



SOLENOID LOCK 9912S-AD ADTEC 2121 (115VAC) Drop-in Replacement

RETROFIT
SOLUTIONS



The **9912S-AD** provides for electric or manual locking / unlocking of swinging doors. It can be operated from a remote location or by key at the door. 9912S-AD is a drop in replacement lock that fits the Adtec 2121 door prep.

APPLICATION:

Swing door lock for entrances, safety vestibules, corridors, inmate housing. High security door sensor, door closer and heavy duty door pull recommended.

KEY CYLINDER:

Mogul cylinder sold separately.

MOUNTING:

Jamb mounted with either hinge side or stop side access cover.

FIRE RATING:

UL10B - 3 Hour

Testing

9912S has been tested to 1,000,000 cycles.

STANDARD FEATURES

- Latch bolt has a full 1" throw
- Slam-locking with automatic mechanical deadlock
- Roller-type deadlock actuator
- Lock status switch indicates deadlocked latchbolt
- Keyed one or two sides
- Stainless Steel Strike/Keeper furnished with tamper resistant screws
- Quick connect electrical connectors
- Factory wired field-side pigtail
- Plated and stainless steel parts
- RLB (Remote Latch Back) When unlocked, the latchbolt remains retracted until door is opened

STANDARD OPERATION

- Latchbolt retracts when power is applied to the lock and remains retracted until the door is opened approximately 2". Door relocks when closed.
- Provides automatic deadlocking, even in the event of a total loss of power.
- Fail secure, unlocks when energized.

AIR/TEQ
RETROFIT
SOLUTIONS

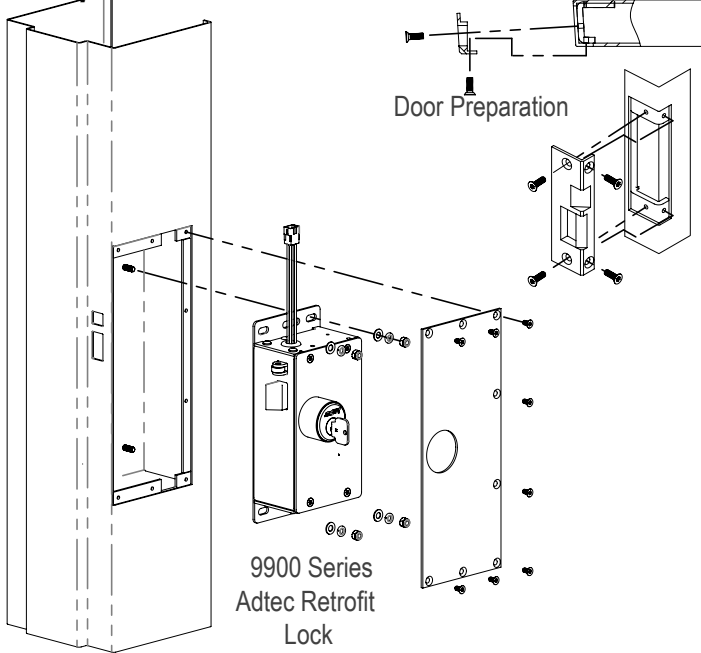
2511 Midpark Road · Montgomery, AL 36109
Phone: 800-466-3007 Fax: 334-286-6421



TECHNICAL SPECIFICATIONS

RETROFIT SOLUTIONS

Airteq 9912S-AD



- **Body:** All steel construction
- **Dimensions:** 12"H x 5 7/16"W x 3 1/2"D
- **Latchbolt:** Hardened Stainless Steel
- **Latchbolt Throw:** 1" - Flush when retracted
- **Deadlock Actuator:** Roller type, stainless steel
- **Lock Status Switch:** 15 amp rated, UL recognized
- **Electrical Power Consumption:**
115 VAC, 1 Phase, 60 Hz
10 amp inrush, 0.6 amp seated
- **Electrical Connector:** Quick Connect electrical plug
- **Strike/Keeper:** Hardened Stainless Steel with pin-torx screws
- **UL10B:** 3 hour fire rating

Notes:

1. Mogul cylinder driver plate included with lock fits Adtec mogul cylinder.
2. Strike included with lock is required for proper door fit.

HOW TO SPECIFY AND ORDER AN AIRTEQ 9912S-ADTEC LOCK

WHEN SPECIFYING . . .							ALSO SPECIFY . . .									
MODEL NO.	X	"K1" OR "K2"	X	FINISH	X	SCREW HEAD STYLE	X	OPTIONAL FEATURES	-CYLINDER TYPE & MANUFACTURER							
* WHEN ORDERING . . .																
MODEL NO.	X	SWING CODE	X	CYL. TYPE & MFR.	X	FRAME CONDITION	X	FINISH	X	SCREW HEAD STYLE	X	OPTIONAL FEATURES	X	JAMB DEPTH (WHERE REQ.)	X	DOOR THK.
EXAMPLE A: SPECIFICATION READS. . ."KEYED 1 SIDE, MOGUL CYLINDER & KEY SWITCH"																
WHEN SPECIFYING . . .																
9912S-AD X K1 X US32D X TORX X KS																
* WHEN ORDERING . . .																
9912S-AD X 13 X FR. POCKET X US32D X TORX X KS X 2"DR.																
EXAMPLE B: SPECIFICATION READS. . ."KEYED 2 SIDES & NO LATCHBACK REQUIRED"																
WHEN SPECIFYING . . .																
9912S-AD X K2 X US32D X TORX X NRLB																
* WHEN ORDERING . . .																
9912S-AD X 08 X US32D X TORX X NRLB X 9"JD X 2"DR.																
* TEMPLATE NO. AND LATEST REVISIONS SHOULD BE COORDINATED WITH THE DOOR AND FRAME MANUFACTURER																

SWING/HAND CHART

SWING CODE	DOOR HAND DIAGRAM * is COVER PLATE SIDE	SWING CODE	DOOR HAND DIAGRAM * is COVER PLATE SIDE
07 LHRB		08 RHRB	
11 LHRB		12 RHRB	

Optional Features

- **KR** - Knob Release: Latchbolt is retracted by knob release on one side of lock. Knob is always active. When ordering, specify hinge side (HS) or stop side (SS).

Optional Functions

- **NRLB** - No Remote Latch Back: Latch bolt extends immediately when power is removed or key is moved to the locked position.
- **KLHB** - Key operated Latch Hold Back: Latch is retracted locally by key and remains mechanically retracted until relocked by key (fire rating not available with this function).
- **ELHB** - Emergency Latch Hold Back: Latch bolt is retracted remotely and remains mechanically retracted until relocked at the door by key (fire rating not available with this function).

NOTE: PLEASE CONTACT AIRTEQ WHEN MORE THAN ONE FUNCTION IS REQUIRED ON THE SAME LOCK.

Warranty

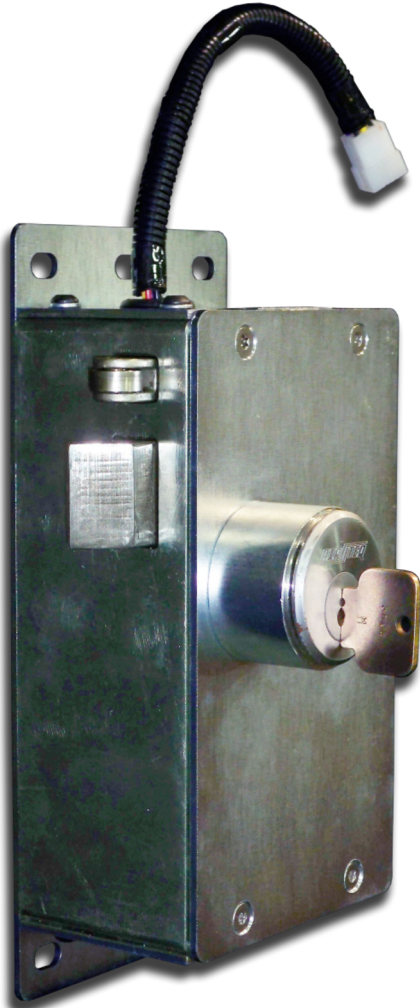
Airteq warrants its products against defects in material or workmanship for one year from the time of delivery. Airteq's sole obligation under the warranty is to repair, or at its option, to replace the product. The buyer shall have no other remedy. (All special, incidental and coincidental damages are excluded.) Written notice of breach of warranty must be given to Airteq within the warranty period. The warranty does not cover damages resulting from improper installation or maintenance, accident or misuse. NO OTHER WARRANTIES AS TO MERCHANTABILITY OR OTHERWISE ARE MADE. A continuing product research program is ongoing. Airteq reserves the right to incorporate products and specification changes at any time without notice.

MOTORLOCK 9912M-AD

Adtec 2123 Replacement
(115VAC) Drop-in Replacement

RETROFIT

— SOLUTIONS —



The **9912M-AD** provides for 120 VAC electric or manual locking / unlocking of swinging doors. It can be operated from a remote location or by key at the door. 9912M-AD 120 VAC is a drop in replacement lock that fits the Adtec 2123 door prep.

APPLICATION:

Swing door lock for entrances, safety vestibules, corridors, inmate housing. High security door sensor, door closer and heavy duty door pull recommended.

KEY CYLINDER:

Mogul cylinder sold separately.

MOUNTING:

Jamb mounted with either hinge side or stop side access cover.

FIRE RATING:

UL10B - 3 Hour (test pending)

TESTING:

9912M-AD has been tested to 1,000,000 cycles.

STANDARD FEATURES:

- Latch bolt has a full 1" throw
- Slam-locking with automatic mechanical deadlock
- Roller-type deadlock actuator
- Lock status switch indicates deadlocked latchbolt
- Keyed one or two sides
- Stainless Steel Strike/Keeper furnished with tamper resistant screws
- Quick connect electrical connectors
- Factory wired field-side pigtail
- RLB (Remote Latch Back) When unlocked, the latchbolt remains retracted until door is opened

STANDARD OPERATION:

- Latchbolt retracts when power is applied to the lock and remains retracted until the door is opened approximately 2". Door relocks when closed.
- Provides automatic deadlocking, even in the event of a total loss of power.
- Fail secure, unlocks when energized.

AIR/TEQ

RETROFIT

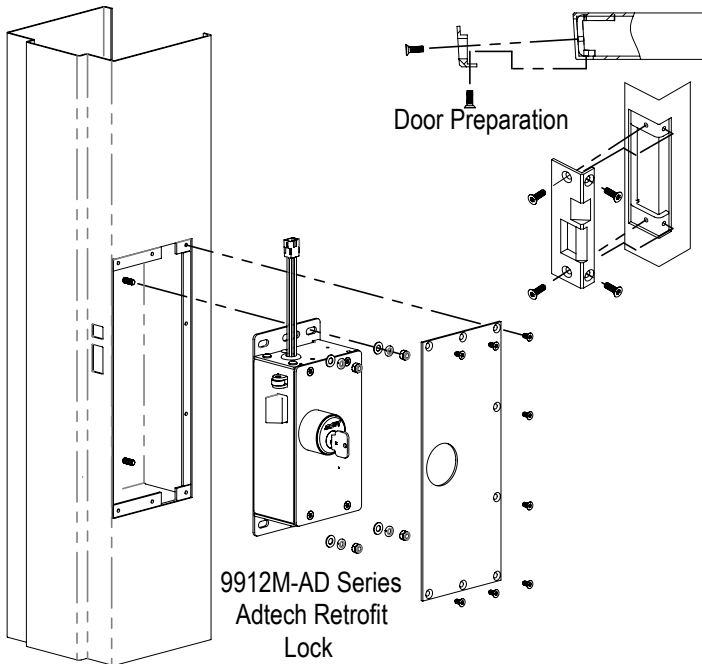
— SOLUTIONS —

2511 Midpark Road · Montgomery, AL 36109
Phone: 800-466-3007 Fax: 334-286-6421



TECHNICAL SPECIFICATIONS

RETROFIT SOLUTIONS



- **Mogul Cylinder Driver Plate**
- **Body:** All steel construction
- **Dimensions:** 12"H x 5 7/16W x 3 1/2"D
- **Latchbolt:** Hardened Stainless Steel
- **Latchbolt Throw:** 1" - Flush when retracted
- **Deadlock Actuator:** Roller type, stainless steel
- **Lock Status Switch:** 15 amp rated, UL recognized
- **Electrical Power Consumption:**
120 VAC, 1 Phase, 60 Hz
2.5 amp in-rush, 1.75 amp running
- **Electrical Connector:** Quick Connect electrical plug
- **Strike/Keeper:** Hardened Stainless Steel with pin-torx screws
- **UL10B:** 3 hour fire rating (test pending)

Note: Drawing for illustration only. Reference template for specific information.

HOW TO SPECIFY AND ORDER AN AIRTEQ 9912M-AD LOCK

WHEN SPECIFYING ...							ALSO SPECIFY... -CYLINDER TYPE & MANUFACTURER									
MODEL NO.	X	"K1" OR "K2"	X	FINISH	X	SCREW HEAD STYLE	X	OPTIONAL FEATURES								
* WHEN ORDERING ...																
MODEL NO.	X	SWING CODE	X	CYL. TYPE & MFR.	X	FRAME CONDITION	X	FINISH	X	SCREW HEAD STYLE	X	OPTIONAL FEATURES	X	JAMB DEPTH (WHERE REQ.)	X	DOOR THK.
EXAMPLE A: SPECIFICATION READS... "KEYED 1 SIDE, MOGUL CYLINDER & KEY SWITCH"																
WHEN SPECIFYING ...																
9912M-AD X K1 X US32D X TORX X KS																
* WHEN ORDERING ...																
9912M-AD X 11 X FR. POCKET X US32D X TORX X KS X 2"DR.																
EXAMPLE B: SPECIFICATION READS... "KEYED 2 SIDES & NO LATCHBACK REQUIRED"																
WHEN SPECIFYING ...																
9912M-AD X K2 X US32D X TORX X NRLB																
* WHEN ORDERING ...																
9912M-AD X 08 X US32D X TORX X NRLB X 9"JD X 2"DR.																
* TEMPLATE NO. AND LATEST REVISIONS SHOULD BE COORDINATED WITH THE DOOR AND FRAME MANUFACTURER																

SWING/HAND CHART

SWING CODE	DOOR HAND DIAGRAM * is COVER PLATE SIDE	SWING CODE	DOOR HAND DIAGRAM * is COVER PLATE SIDE
07 LHRB		08 RHRB	
11 LHRB		12 RHRB	

Optional Features

- **KR** - Knob Release: Latchbolt is retracted by knob release on one side of lock. Knob is always active. When ordering, specify hinge side (HS) or stop side (SS).

Optional Functions

- **NRLB** - No Remote Latch Back: Latch bolt extends immediately when power is removed or key is moved to the locked position.
- **KS** - Key Switch: Door is electrically unlocked by key operated switch at the lock.
- **KLHB** - Key operated Latch Hold Back: Latch is retracted locally by key and remains mechanically retracted until relocked by key.
- **ELHB** - Emergency Latch Hold Back: Latch bolt is retracted remotely and remains mechanically retracted until relocked at the door by key.
- **RLHB** - Remote Latch Hold Back: Latch bolt is retracted by unlock control signal and remains retracted until lock receives a relock control signal. RLHB is typically combined with NRLB.

NOTE: PLEASE CONTACT AIRTEQ WHEN MORE THAN ONE FUNCTION IS REQUIRED ON THE SAME LOCK.

Warranty

Airteq warrants its products against defects in material or workmanship for one year from the time of delivery. Airteq's sole obligation under the warranty is to repair, or at its option, to replace the product. The buyer shall have no other remedy. (All special, incidental and coincidental damages are excluded.) Written notice of breach of warranty must be given to Airteq within the warranty period. The warranty does not cover damages resulting from improper installation or maintenance, accident or misuse. NO OTHER WARRANTIES AS TO MERCHANTABILITY OR OTHERWISE ARE MADE. A continuing product research program is ongoing. Airteq reserves the right to incorporate products and specification changes at any time without notice.

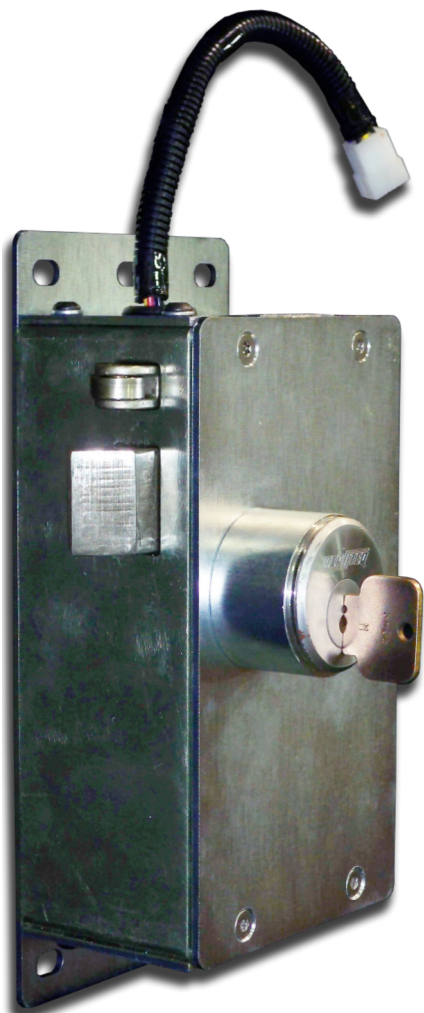
MOTORLOCK 9924-AD

Adtec 2124

(24VDC Drop-in Replacement)

RETROFIT

— SOLUTIONS —



The **9924-AD** provides for 24 VDC electric or manual locking / unlocking of swinging doors. It can be operated from a remote location or by key at the door. 9924-AD is a drop in replacement lock that fits the Adtec 2124 door prep.

APPLICATION:

Swing door lock for entrances, safety vestibules, corridors, inmate housing. High security door sensor, door closer and heavy duty door pull recommended.

KEY CYLINDER:

Mogul cylinder sold separately.

MOUNTING:

Jamb mounted with either hinge side or stop side access cover.

FIRE RATING:

UL10B - 3 Hour (test pending)

TESTING:

9924-AD has been tested to 1,000,000 cycles.

STANDARD FEATURES:

- Latch bolt has a full 1" throw
- Slam-locking with automatic mechanical deadlock
- Roller-type deadlock actuator
- Lock status switch indicates deadlocked latchbolt
- Keyed one or two sides
- Stainless Steel Strike/Keeper furnished with tamper resistant screws
- Quick connect electrical connectors
- Factory wired field-side pigtail
- RLB (Remote Latch Back) When unlocked, the latchbolt remains retracted until door is opened
- Plated and stainless steel parts

STANDARD OPERATION:

- Latchbolt retracts when power is applied to the lock and remains retracted until the door is opened approximately 2". Door relocks when closed.
- Provides automatic deadlocking, even in the event of a total loss of power.
- Fail secure, unlocks when energized.

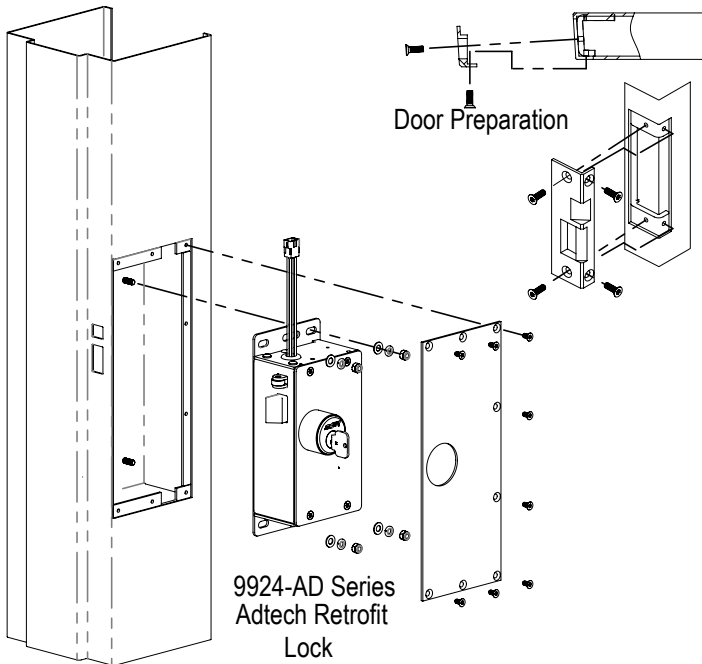
AIR/TEQ
RETROFIT
— SOLUTIONS —

2511 Midpark Road · Montgomery, AL 36109
Phone: 800-466-3007 Fax: 334-286-6421



TECHNICAL SPECIFICATIONS

RETROFIT SOLUTIONS



- **Mogul Cylinder Driver Plate**
- **Body:** All steel construction
- **Dimensions:** 12"H x 5 7/16W x 3 1/2"D
- **Latchbolt:** Hardened Stainless Steel
- **Latchbolt Throw:** 1" - Flush when retracted
- **Deadlock Actuator:** Roller type, stainless steel
- **Lock Status Switch:** 15 amp rated, UL recognized
- **Electrical Power Consumption:**
24 VDC, 3.5 amp in-rush, 0.32 amp running
- **Electrical Connector:** Quick Connect electrical plug
- **Strike/Keeper:** Hardened Stainless Steel with pin-torx screws
- **UL10B:** 3 hour fire rating (test pending)

Note: Drawing for illustration only. Reference template for specific information.

HOW TO SPECIFY AND ORDER AN AIRTEQ 9924-AD LOCK

WHEN SPECIFYING ...							ALSO SPECIFY...									
MODEL NO.	X	"K1" OR "K2"	X	FINISH	X	SCREW HEAD STYLE	X	OPTIONAL FEATURES	-CYLINDER TYPE & MANUFACTURER							
* WHEN ORDERING ...																
MODEL NO.	X	SWING CODE	X	CYL. TYPE & MFR.	X	FRAME CONDITION	X	FINISH	X	SCREW HEAD STYLE	X	OPTIONAL FEATURES	X	JAMB DEPTH (WHERE REQ.)	X	DOOR THK.
EXAMPLE A: SPECIFICATION READS... "KEYED 1 SIDE, MOGUL CYLINDER & KEY SWITCH"																
WHEN SPECIFYING ...																
9924-AD X K1 X US32D X TORX X KS																
* WHEN ORDERING ...																
9924-AD X 11 X FR. POCKET X US32D X TORX X KS X 2"DR.																
EXAMPLE B: SPECIFICATION READS... "KEYED 2 SIDES & NO LATCHBACK REQUIRED"																
WHEN SPECIFYING ...																
9924-AD X K2 X US32D X TORX X NRLB																
* WHEN ORDERING ...																
9924-AD X 08 X US32D X TORX X NRLB X 9"JD X 2"DR.																
* TEMPLATE NO. AND LATEST REVISIONS SHOULD BE COORDINATED WITH THE DOOR AND FRAME MANUFACTURER																

SWING/HAND CHART

SWING CODE	DOOR HAND DIAGRAM * is COVER PLATE SIDE	SWING CODE	DOOR HAND DIAGRAM * is COVER PLATE SIDE
07 LHRB		08 RHRB	
11 LHRB		12 RHRB	

Optional Features

- **KR** - Knob Release: Latchbolt is retracted by knob release on one side of lock. Knob is always active. When ordering, specify hinge side (HS) or stop side (SS).

Optional Functions

- **NRLB** - No Remote Latch Back: Latch bolt extends immediately when power is removed or key is moved to the locked position.
- **KS** - Key Switch: Door is electrically unlocked by key operated switch at the lock.
- **KLHB** - Key operated Latch Hold Back: Latch is retracted locally by key and remains mechanically retracted until relocked by key.
- **ELHB** - Emergency Latch Hold Back: Latch bolt is retracted remotely and remains mechanically retracted until relocked at the door by key.
- **RLHB** - Remote Latch Hold Back: Latch bolt is retracted by unlock control signal and remains retracted until lock receives a relock control signal. RLHB is typically combined with NRLB.

NOTE: PLEASE CONTACT AIRTEQ WHEN MORE THAN ONE FUNCTION IS REQUIRED ON THE SAME LOCK.

Warranty

Airteq warrants its products against defects in material or workmanship for one year from the time of delivery. Airteq's sole obligation under the warranty is to repair, or at its option, to replace the product. The buyer shall have no other remedy. (All special, incidental and coincidental damages are excluded.) Written notice of breach of warranty must be given to Airteq within the warranty period. The warranty does not cover damages resulting from improper installation or maintenance, accident or misuse. NO OTHER WARRANTIES AS TO MERCHANTABILITY OR OTHERWISE ARE MADE. A continuing product research program is ongoing. Airteq reserves the right to incorporate products and specification changes at any time without notice.

Airlock 9400-SG Southern Steel 1100 (24VDC) 8fcd!]b Replacement

RETROFIT

— SOLUTIONS —



The **9400-SS** provides for pneumatic or manual locking / unlocking of swinging doors. It can be operated from a remote location or by key at the door. For additional security, it is recommended that the 9400-SS lock be used with an Airteq high security door po-sition sensor. An automatic door closer may also be used. 9400-SS is a replacement lock that fits the Southern Steel 1100 prep with minimal modifications.

APPLICATION:

Swing door lock for corridors, inmate housing and administrative areas, suitable for exterior locations.

SECURITY LEVEL:

ASTM F 1577 Grade 2, Grade 1 optional

KEY CYLINDER:

Builders / Mortise pin tumbler (Sold Separately)

MOUNTING:

Jamb mounted in 2" frame

FIRE RATING

UL10B - 1 1/2 Hour

(not available with these functions: KLHB, ELHB, RLHB & RMERS)

STANDARD FEATURES

- Slam-locking with automatic mechanical deadlock
- Lock status switch indicates deadlocked latch bolt
- Keyed one or two sides
- Nickel plated Strike/Keeper furnished with tamper resistant screws
- Quick connect air and electrical connectors
- Factory wired field-side pigtail
- Bright zinc and stainless steel parts
- Security ring, supplied unfinished to HM manufacturer for frame installation and prime painting
- Stainless steel faceplate furnished with tamper resistant screws
- Bayonet style cylinder attachment for quick installation/removal.

STANDARD OPERATION:

- Latch bolt retracts when power is applied to the lock, when power is removed the latch bolt extends, locking the door if closed, or allowing the door to be slam-locked if open.
- Provides automatic deadlocking, even in the event of a total loss of air and/or power.
- Accepts a mortise key cylinder to allow for manual mechanical unlocking of the lock by key at the opening.
- Fail secure, unlocks when energized.

AIRTEQ

RETROFIT

— SOLUTIONS —

2511 Midpark Road · Montgomery, AL 36109
Phone: 800-466-3007 Fax: 334-286-6421

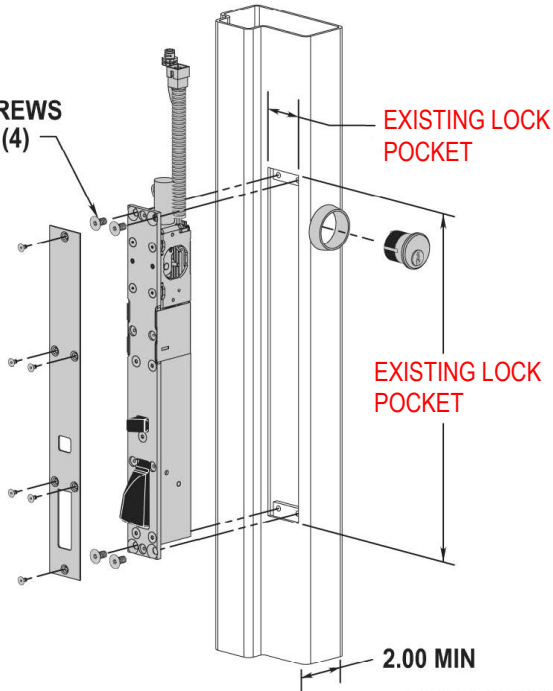
TECHNICAL SPECIFICATIONS

RETROFIT

SOLUTIONS

9400

MOUNTING SCREWS
1/4-20 FH SOC. (4)



Shaded Items available from lock manufacturer

LHRB DOOR

- **Body:** All steel construction
- **Mounting Plate:** 3/16", 1018 cold rolled steel, bright zinc plated
- **Faceplate:** Stainless Steel (US32D) with tamper resistant screws
- **Dimensions:** 1 1/2" x 13 1/4" x 1 3/4"
- **Latchbolt:** High strength alloy steel, hardened to RC 60
- **Latchbolt Throw:** 3/4" - Flush when retracted
- **Deadlock Actuator:** Plunger type, 1018 cold rolled steel hardened to RC 32
- **Lock Status Switch:** 5 amp rated, UL recognized
- **Electrical Power Consumption:** 1.5 watt max. (.063 amps)
- **Solenoid Valve:** 24 VDC continuous rated
- **Operating Range:** 24 VDC ± 2VDC
- **Air Consumption:** 1 cubic inch of air per actuation
- **Air Pressure Range:** 40 to 125 p.s.i.
- **Electrical Connector:** Quick connector with color coded wiring harness
- **Latchbolt Shear Strength:** 20,000 pounds
- **Strike/Keeper:** 1/8" hardened 1018 cold rolled steel, nickel plated with tamper resistant screws
- **UL10B:** 1 1/2 hour fire rating (see fire rating exceptions on cover page)
- **ASTM F 1577 Lock Function C200-P24**

HOW TO SPECIFY AND ORDER AN AIRTEQ 9400 LOCK

WHEN SPECIFYING . . .										
MODEL NO.	X	"K1" OR "K2"	X	FINISH	X	OPTIONAL FEATURES				
** WHEN ORDERING . . .										
MODEL NO.	X	SWING CODE	X	FINISH	X	OPTIONAL FEATURES	X	JAMB DEPTH (WHERE REQ'D)	X	DOOR THK.
EXAMPLE A:										
WHEN SPECIFYING . . .										
9400 X K2 X US32D X AND DOOR SCHEDULE READS. . . "1 1/2 HR.LABEL"										
** WHEN ORDERING . . .										
9400 X 01 X US32D X UL X 9"JD X 2"DR.										
EXAMPLE B:										
WHEN SPECIFYING . . .										
9400 X K1 X US32D X RLHB AND SPECIFICATION READS. . . "KEY SWITCH"										
** WHEN ORDERING . . .										
9400 X 03 X US32D X RLHB X KS X 2"DR.										
** TEMPLATE NO. AND LATEST REVISIONS SHOULD BE COORDINATED WITH THE DOOR AND FRAME MANUFACTURER.										

SWING/HAND CHART

SWING CODE	DOOR HAND DIAGRAM *COVER PLATE
01 LHRB	IN OUT
02 RHRB	IN OUT
03 LHRB	IN OUT
04 RHRB	IN OUT
05 RH	IN OUT
06 LH	IN OUT

- **RMERS** - Remote Manual Emergency Release System: Latchbolt is retracted remotely by a manually operated valve in the event of a loss of normal control functions. Requires an additional air line to the lock and a separate emergency air system cabinet (sold separately).
- **GR1** - ASTM Grade 1 Rating: Meets ASTM F1577 Grade 1 impact standards
- **KCE** - Key Cylinder Extension: Recommended for locks keyed stop side or keyed two sides.

Optional Functions

- **RLHB** - Remote Latch Holdback: Latch bolt is retracted by push button at the control panel and remains retracted until button is pushed a second time (control feature). Latch-bolt extends if power is lost, regardless of door position.
- **KS** - Key Switch: Door is electrically unlocked by key operated switch at the lock. Can be disabled by the control system.
- **LEK** - Local Electric Key Switch: Provides for one key which operates lock electrically only, while higher level keys will operate it both mechanically and electrically. Includes 'KS' function plus a special function key cylinder.
- **KLHB** - Key operated Latch HoldBack: Latch is retracted locally by key and remains mechanically retracted until relocked by key.
- **ELHB** - Emergency Latch HoldBack: Latchbolt is retracted remotely and remains mechanically retracted until relocked at the door by key (includes KLHB feature).
- **RLB** - Remote Latch Back: Latchbolt is retracted remotely and remains retracted until door is opened approximately 2". Door relocks when closed.

NOTE: PLEASE CONTACT AIRTEQ WHEN MORE THAN ONE FUNCTION IS REQUIRED ON THE SAME LOCK.

Warranty

Airteq warrants its products against defects in material or workmanship for one year from the time of delivery. Airteq's sole obligation under the warranty is to repair, or at its option, to replace the product. The buyer shall have no other remedy. (All special, incidental and coincidental damages are excluded.) Written notice of breach of warranty must be given to Airteq within the warranty period. The warranty does not cover damages resulting from improper installation or maintenance, accident or misuse. NO OTHER WARRANTIES AS TO MERCHANTABILITY OR OTHERWISE ARE MADE. A continuing product research program is ongoing. Airteq reserves the right to incorporate products and specification changes at any time without notice.

SOLENOID LOCK 9912S-SS

Southern Steel 10120E (120VAC) Drop-in Replacement

RETROFIT
SOLUTIONS



The **9912S-SS** provides for 120 VAC electric or manual locking / unlocking of swinging doors. It can be operated from a remote location or by key at the door. The **9912S-SS** is a drop in replacement lock that fits the Southern Steel 10120E from 1976-1995.

For SSCO 10120AE, order standard 9912S-SSA lock in lieu of this retrofit solution.

APPLICATION:

Swing door lock for entrances, safety vestibules, corridors, inmate housing. Suitable for exterior locations. High security door sensor, door closer and heavy duty door pull recommended.

KEY CYLINDER:

Mogul cylinder sold separately.

MOUNTING:

Jamb mounted.

FIRE RATING:

UL10B - 3 Hour

TESTING:

9912S has been tested to 1,000,000 cycles.

STANDARD FEATURES:

- Latch bolt has a full 1" throw
- Slam-locking with automatic mechanical deadlock
- Roller-type deadlock actuator
- Lock status switch indicates deadlocked latchbolt
- Keyed one or two sides
- Stainless Steel Strike/Keeper furnished with tamper resistant screws
- Quick connect electrical connectors
- Factory wired field-side pigtail
- Plated and stainless steel parts
- RLB (Remote Latch Back) When unlocked, the latchbolt remains retracted until door is opened

STANDARD OPERATION:

- Latchbolt retracts when power is applied to the lock and remains retracted until the door is opened approximately 2". Door relocks when closed.
- Provides automatic deadlocking, even in the event of a total loss of power.
- Fail secure, unlocks when energized.

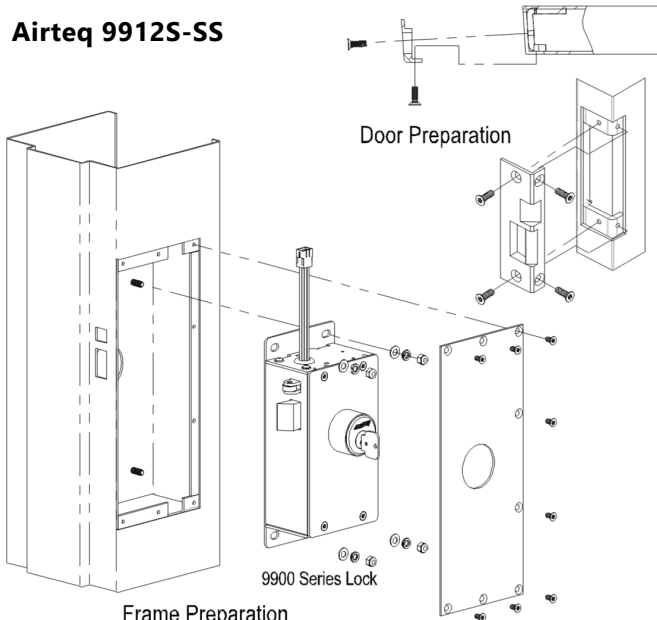
AIRTEQ
RETROFIT
SOLUTIONS

2511 Midpark Road · Montgomery, AL 36109
Phone: 800-466-3007 Fax: 334-286-6421



TECHNICAL SPECIFICATIONS

Airteq 9912S-SS



Note: Drawing for illustration only. Reference template for specific information

- **Mogul Cylinder Driver Plate**
- **Body:** All steel construction
- **Dimensions:** 12"H x 5 7/16"W x 3 1/2"D
- **Latchbolt:** Hardened Stainless Steel
- **Latchbolt Throw:** 1" - Flush when retracted
- **Deadlock Actuator:** Roller type, stainless steel
- **Lock Status Switch:** 15 amp rated, UL recognized
- **Electrical Power Consumption:**
120 VAC, 1 Phase, 60 Hz
10 amp inrush, 0.6 amp seated
- **Electrical Connector:** Quick Connect electrical plug
- **Strike/Keeper:** Hardened Stainless Steel with pin-torx screws
- **UL10B:** 3 hour fire rating

Notes:

1. Mogul cylinder driver plate included with lock fits SSCO mogul cylinder.
2. Strike included with lock is required for proper door fit.

HOW TO SPECIFY AND ORDER AN AIRTEQ 9912S LOCK

WHEN SPECIFYING ...							ALSO SPECIFY... -CYLINDER TYPE & MANUFACTURER									
MODEL NO.	X	"K1" OR "K2"	X	FINISH	X	SCREW HEAD STYLE	X	OPTIONAL FEATURES								
* WHEN ORDERING ...																
MODEL NO.	X	SWING CODE	X	CYL. TYPE & MFR.	X	FRAME CONDITION	X	FINISH	X	SCREW HEAD STYLE	X	OPTIONAL FEATURES	X	JAMB DEPTH (WHERE REQ.)	X	DOOR THK.
EXAMPLE A: SPECIFICATION READS... "KEYED 1 SIDE, MOGUL CYLINDER & KEY SWITCH"																
WHEN SPECIFYING ...																
9912S X K1 X US32D X TORX X KS																
* WHEN ORDERING ...																
9912S X 13 X FR. POCKET X US32D X TORX X KS X 2"DR.																
EXAMPLE B: SPECIFICATION READS... "KEYED 2 SIDES & NO LATCHBACK REQUIRED"																
WHEN SPECIFYING ...																
9912S X K2 X US32D X TORX X NRLB																
* WHEN ORDERING ...																
9912S X 08 X US32D X TORX X NRLB X 9"JD X 2"DR.																
* TEMPLATE NO. AND LATEST REVISIONS SHOULD BE COORDINATED WITH THE DOOR AND FRAME MANUFACTURER																

SWING/HAND CHART

SWING CODE	DOOR HAND DIAGRAM * is COVER PLATE SIDE	SWING CODE	DOOR HAND DIAGRAM * is COVER PLATE SIDE
07 LHRB		08 RHRB	
09 RH		10 LH	
11 LHRB		12 RHRB	
13 RH		14 LH	

Optional Features

- **KR** - Knob Release: Latchbolt is retracted by knob release on one side of lock. Knob is always active. When ordering, specify hinge side (HS) or stop side (SS).

Optional Functions

- **NRLB** - No Remote Latch Back: Latch bolt extends immediately when power is removed or key is moved to the locked position.
- **KLHB** - Key operated Latch Hold Back: Latch is retracted locally by key and remains mechanically retracted until relocked by key (fire rating not available with this function).
- **ELHB** - Emergency Latch Hold Back: Latch bolt is retracted remotely and remains mechanically retracted until relocked at the door by key (fire rating not available with this function).

NOTE: PLEASE CONTACT AIRTEQ WHEN MORE THAN ONE FUNCTION IS REQUIRED ON THE SAME LOCK.

Warranty

Airteq warrants its products against defects in material or workmanship for one year from the time of delivery. Airteq's sole obligation under the warranty is to repair, or at its option, to replace the product. The buyer shall have no other remedy. (All special, incidental and coincidental damages are excluded.) Written notice of breach of warranty must be given to Airteq within the warranty period. The warranty does not cover damages resulting from improper installation or maintenance, accident or misuse. NO OTHER WARRANTIES AS TO MERCHANTABILITY OR OTHERWISE ARE MADE. A continuing product research program is ongoing. Airteq reserves the right to incorporate products and specification changes at any time without notice.

MOTORLOCK 9912M-SS

Southern Steel 10120M

(120VAC) Drop-in Replacement

RETROFIT

SOLUTIONS



The **9912M-SS** provides for 120 VAC electric or manual locking / unlocking of swinging doors. It can be operated from a remote location or by key at the door. The **9912M-SS** is a drop in replacement lock that fits the Southern Steel 10120M from 1976-1995.

For SSCO 10120AM, order standard 9912M-SSA lock in lieu of this retrofit solution.

APPLICATION:

Swing door lock for entrances, safety vestibules, corridors, inmate housing. High security door sensor, door closer and heavy duty door pull recommended.

KEY CYLINDER:

Mogul cylinder sold separately.

MOUNTING:

Jamb mounted.

FIRE RATING:

UL10B - 3 Hour

TESTING:

9912M has been tested to 1,000,000 cycles.

STANDARD FEATURES:

- Latch bolt has a full 1" throw
- Slam-locking with automatic mechanical deadlock
- Roller-type deadlock actuator
- Lock status switch indicates deadlocked latchbolt
- Keyed one or two sides
- Stainless Steel Strike/Keeper furnished with tamperresistant screws
- Quick connect electrical connectors
- Factory wired field-side pigtail
- RLB (Remote Latch Back) When unlocked, the latchbolt remains retracted until door is opened
- Plated and Stainless Steel parts

STANDARD OPERATION:

- Latchbolt retracts when power is applied to the lock and remains retracted until the door is opened approximately 2". Door relocks when closed.
- Provides automatic deadlocking, even in the event of a total loss of power.
- Fail secure, unlocks when energized.

AIR/TEQ
RETROFIT
SOLUTIONS

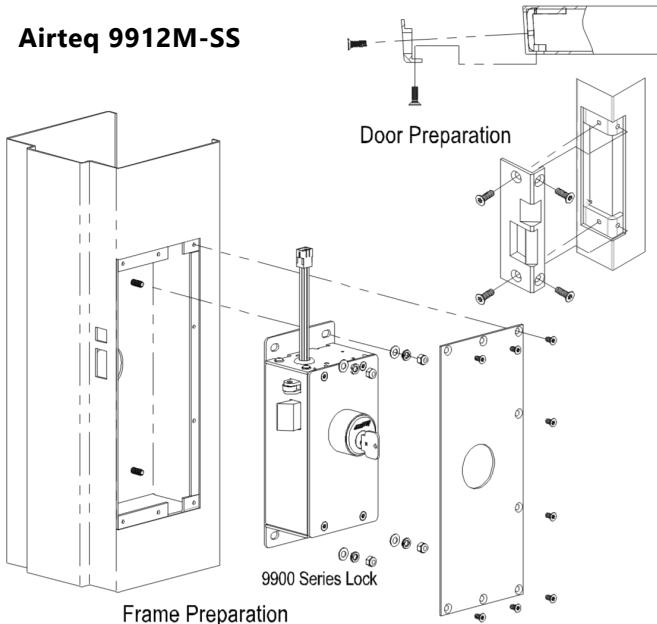
2511 Midpark Road · Montgomery, AL 36109
Phone: 800-466-3007 Fax: 334-286-6421



TECHNICAL SPECIFICATIONS

RETROFIT SOLUTIONS

Airteq 9912M-SS



Note: Drawing for illustration only. Reference template for specific information

- **Mogul Cylinder Driver Plate**
- **Body:** All steel construction
- **Dimensions:** 12"H x 5 7/16"W x 3 1/2"D
- **Latchbolt:** Hardened Stainless Steel
- **Latchbolt Throw:** 1" - Flush when retracted
- **Deadlock Actuator:** Roller type, stainless steel
- **Lock Status Switch:** 15 amp rated, UL recognized
- **Electrical Power Consumption:**
120 VAC, 1 Phase, 60 Hz
2.5 amp in-rush, 1.75 amp running
- **Electrical Connector:** Quick Connect electrical plug
- **Strike/Keeper:** Hardened Stainless Steel with pin-torx screws
- **UL10B:** 3 hour fire rating

Notes:

1. Mogul cylinder driver plate included with lock fits SSCO mogul cylinder.
2. Strike included with lock is required for proper door fit.

HOW TO SPECIFY AND ORDER AN AIRTEQ 9912M LOCK

WHEN SPECIFYING ...							ALSO SPECIFY... -CYLINDER TYPE & MANUFACTURER									
MODEL NO.	X	"K1" OR "K2"	X	FINISH	X	SCREW HEAD STYLE	X	OPTIONAL FEATURES								
* WHEN ORDERING ...																
MODEL NO.	X	SWING CODE	X	CYL. TYPE & MFR.	X	FRAME CONDITION	X	FINISH	X	SCREW HEAD STYLE	X	OPTIONAL FEATURES	X	JAMB DEPTH (WHERE REQ.)	X	DOOR THK.
EXAMPLE A: SPECIFICATION READS... "KEYED 1 SIDE, MOGUL CYLINDER & KEY SWITCH"																
WHEN SPECIFYING ...																
9912M X K1 X US32D X TORX X KS																
* WHEN ORDERING ...																
9912M X 13 X FR. POCKET X US32D X TORX X KS X 2"DR.																
EXAMPLE B: SPECIFICATION READS... "KEYED 2 SIDES, CYLINDER EXTENSION & NO LATCHBACK REQUIRED"																
WHEN SPECIFYING ...																
9912M X K2 X US32D X TORX X NRLB																
* WHEN ORDERING ...																
9912M X 08 X US32D X TORX X NRLB X 9"JD X 2"DR.																
* TEMPLATE NO. AND LATEST REVISIONS SHOULD BE COORDINATED WITH THE DOOR AND FRAME MANUFACTURER																

SWING/HAND CHART

SWING CODE	DOOR HAND DIAGRAM * is COVER PLATE SIDE	SWING CODE	DOOR HAND DIAGRAM * is COVER PLATE SIDE
07 LHRB		08 RHRB	
09 RH		10 LH	
11 LHRB		12 RHRB	
13 RH		14 LH	

Optional Features

- **KR** - Knob Release: Latchbolt is retracted by knob release on one side of lock. Knob is always active. When ordering, specify hinge side (HS) or stop side (SS).

Optional Functions

- **NRLB** - No Remote Latch Back: Latch bolt extends immediately when power is removed or key is moved to the locked position.
- **KLHB** - Key operated Latch Hold Back: Latch is retracted locally by key and remains mechanically retracted until relocked by key (fire rating not available with this function).
- **ELHB** - Emergency Latch Hold Back: Latch bolt is retracted remotely and remains mechanically retracted until relocked at the door by key (fire rating not available with this function).
- **RLHB** - Remote Latch Hold Back: Latch bolt is retracted by unlock control signal and remains retracted until lock receives a relock control signal. RLHB is typically combined with NRLB (fire rating not available with this function).

NOTE: PLEASE CONTACT AIRTEQ WHEN MORE THAN ONE FUNCTION IS REQUIRED ON THE SAME LOCK.

Warranty

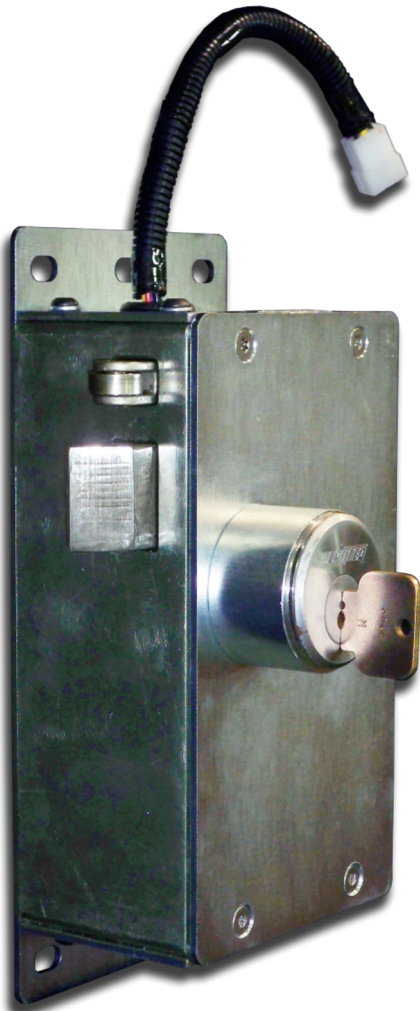
Airteq warrants its products against defects in material or workmanship for one year from the time of delivery. Airteq's sole obligation under the warranty is to repair, or at its option, to replace the product. The buyer shall have no other remedy. (All special, incidental and coincidental damages are excluded.) Written notice of breach of warranty must be given to Airteq within the warranty period. The warranty does not cover damages resulting from improper installation or maintenance, accident or misuse. NO OTHER WARRANTIES AS TO MERCHANTABILITY OR OTHERWISE ARE MADE. A continuing product research program is ongoing. Airteq reserves the right to incorporate products and specification changes at any time without notice.

MOTORLOCK 9924-SS

Sci H Yfb GYY 10120M
(24VDC) Drop-in Replacement

RETROFIT

— SOLUTIONS —



The 9924-SS provides for 24 VDC electric or manual locking / unlocking of swinging doors. It can be operated from a remote location or by key at the door. 9924-SS is a drop in replacement lock that fits the Southern Steel 10120M 24VDC door prep.

For SSCO 10120AM 24VAC, order standard 9924-SSA lock in lieu of this retrofit solution

APPLICATION:

Swing door lock for entrances, safety vestibules, corridors, inmate housing. Suitable for exterior locations. High security door sensor, door closer and heavy duty door pull recommended.

KEY CYLINDER:

Mogul cylinder sold separately.

MOUNTING:

Jamb mounted with either hinge side or stop side access cover.

FIRE RATING:

UL10B - 3 Hour

TESTING:

9924 has been tested to 1,000,000 cycles.

STANDARD FEATURES:

- Latch bolt has a full 1" throw
- Slam-locking with automatic mechanical deadlock
- Roller-type deadlock actuator
- Lock status switch indicates deadlocked latchbolt
- Keyed one or two sides
- Stainless Steel Strike/Keeper furnished with tamper resistant screws
- Quick connect electrical connectors
- Factory wired field-side pigtail
- Plated and stainless steel parts
- RLB (Remote Latch Back) When unlocked, the latchbolt remains retracted until door is opened

STANDARD OPERATION:

- Latchbolt retracts when power is applied to the lock and remains retracted until the door is opened approximately 2". Door relocks when closed.
- Provides automatic deadlocking, even in the event of a total loss of power.
- Fail secure, unlocks when energized.

AIRTEQ

RETROFIT

— SOLUTIONS —

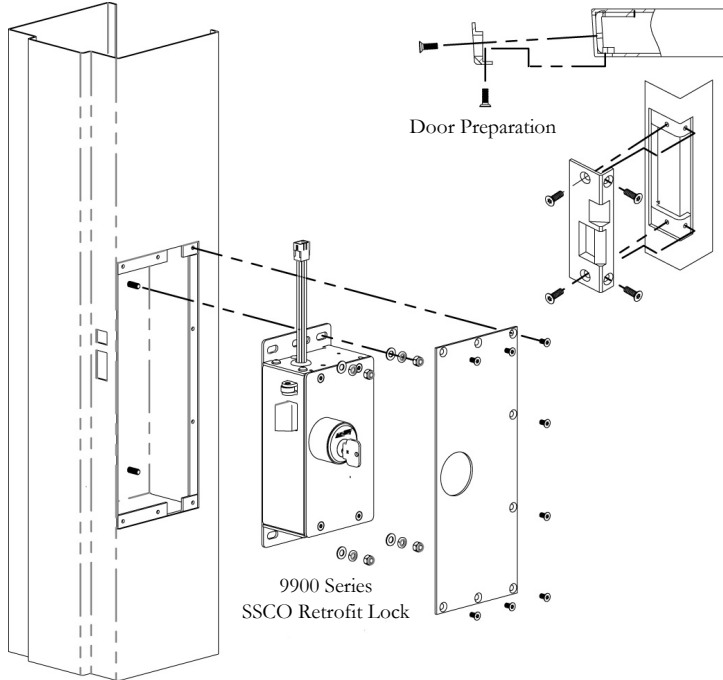
2511 Midpark Road · Montgomery, AL 36109
Phone: 800-466-3007 Fax: 334-286-6421



TECHNICAL SPECIFICATIONS

RETROFIT SOLUTIONS

Airteq 9924-SS



- Mogul Cylinder Driver Plate
- **Body:** All steel construction
- **Dimensions:** 12"H x 5 7/16W x 3 1/2"D
- **Latchbolt:** Hardened Stainless Steel
- **Latchbolt Throw:** 1" - Flush when retracted
- **Deadlock Actuator:** Roller type, stainless steel
- **Lock Status Switch:** 15 amp rated, UL recognized
- **Electrical Power Consumption:**
24 VDC, 3.5 amp in-rush, 0.32 amp running
- **Electrical Connector:** Quick Connect electrical plug
- **Strike/Keeper:** Hardened Stainless Steel with pin-torx screws
- **UL10B:** 3 hour fire rating

Notes:

1. Mogul cylinder driver plate included with lock fits SSCO mogul cylinder.
2. Strike included with lock is required for proper door fit.

HOW TO SPECIFY AND ORDER AN AIRTEQ SSCO 10120M RETROFIT

WHEN SPECIFYING ...							ALSO SPECIFY... -CYLINDER TYPE & MANUFACTURER									
MODEL NO.	X	"K1" OR "K2"	X	FINISH	X	SCREW HEAD STYLE	X	OPTIONAL FEATURES								
* WHEN ORDERING ...																
MODEL NO.	X	SWING CODE	X	CYL. TYPE & MFR.	X	FRAME CONDITION	X	FINISH	X	SCREW HEAD STYLE	X	OPTIONAL FEATURES	X	JAMB DEPTH (WHERE REQ.)	X	DOOR THK.
EXAMPLE A: SPECIFICATION READS... "KEYED 1 SIDE, MOGUL CYLINDER & KEY SWITCH"																
WHEN SPECIFYING ...																
AT SSCO 10120M RETROFIT X K1 X US32D X TORX X KS																
* WHEN ORDERING ...																
AT SSCO 10120M RETROFIT X 13 X FR. POCKET X US32D X TORX X KS X 2"DR.																
EXAMPLE B: SPECIFICATION READS... "KEYED 2 SIDES & NO LATCHBACK REQUIRED"																
WHEN SPECIFYING ...																
AT SSCO 10120M RETROFIT X K2 X US32D X TORX X NRLB																
* WHEN ORDERING ...																
AT SSCO 10120M RETROFIT X 08 X US32D X TORX X NRLB X 9"JD X 2"DR.																
* TEMPLATE NO AND LATEST REVISIONS SHOULD BE COORDINATED WITH THE DOOR AND FRAME MANUFACTURER																

SWING/HAND CHART

SWING CODE	DOOR HAND DIAGRAM * is COVER PLATE SIDE	SWING CODE	DOOR HAND DIAGRAM * is COVER PLATE SIDE
07 LHRB		08 RHRB	
09 RH		10 LH	
11 LHRB		12 RHRB	
13 RH		14 LH	

Optional Features

- **KR** - Knob Release: Latchbolt is retracted by knob release on one side of lock. Knob is always active. When ordering, specify hinge side (HS) or stop side (SS).

Optional Functions

- **NRLB** - No Remote Latch Back: Latch bolt extends immediately when power is removed or key is moved to the locked position.
- **KLHB** - Key operated Latch Hold Back: Latch is retracted locally by key and remains mechanically retracted until relocked by key. Fire rating not available with this function.
- **ELHB** - Emergency Latch Hold Back: Latch bolt is retracted remotely and remains mechanically retracted until relocked at the door by key. Fire rating not available with this function.

NOTE: PLEASE CONTACT AIRTEQ WHEN MORE THAN ONE FUNCTION IS REQUIRED ON THE SAME LOCK.

Warranty
Airteq® warrants its products against defects in material or workmanship for one year from the time of delivery. Airteq's sole obligation under the warranty is to repair, or at its option, to replace the product. The buyer shall have no other remedy. (All special, incidental and coincidental damages are excluded.) Written notice of breach of warranty must be given to Airteq® within the warranty period. The warranty does not cover damages resulting from improper installation or maintenance, accident or misuse. NO OTHER WARRANTIES AS TO MERCHANTABILITY OR OTHERWISE ARE MADE. A continuing product research program is ongoing. Airteq® reserves the right to incorporate products and specification changes at any time without notice.

SOLENOID LOCK 9912S-SSA

Southern Steel 10120AE (120VAC) Drop-in Replacement

RETROFIT

— SOLUTIONS —



The **9912S-SSA** provides for 120 VAC electric or manual locking / unlocking of swinging doors. It can be operated from a remote location or by key at the door. 9912S-SSA is a drop in replacement lock that fits the Southern Steel 10120AE door prep.

APPLICATION:

Swing door lock for entrances, safety vestibules, corridors, inmate housing. Suitable for exterior locations. High security door sensor, door closer and heavy duty door pull recommended.

KEY CYLINDER:

Mogul cylinder sold separately.

MOUNTING:

Jamb mounted with either hinge side or stop side access cover.

FIRE RATING:

UL10B - 3 Hour (test pending)

TESTING:

9912S has been tested to 1,000,000 cycles.

STANDARD FEATURES:

- Latch bolt has a full 1" throw
- Slam-locking with automatic mechanical deadlock
- Roller-type deadlock actuator
- Lock status switch indicates deadlocked latchbolt
- Keyed one or two sides
- Stainless Steel Strike/Keeper furnished with tamper resistant screws
- Quick connect electrical connectors
- Factory wired field-side pigtail
- Plated and stainless steel parts
- RLB (Remote Latch Back) When unlocked, the latchbolt remains retracted until door is opened

STANDARD OPERATION:

- Latchbolt retracts when power is applied to the lock and remains retracted until the door is opened approximately 2". Door relocks when closed.
- Provides automatic deadlocking, even in the event of a total loss of power.
- Fail secure, unlocks when energized.

AIR/TEQ

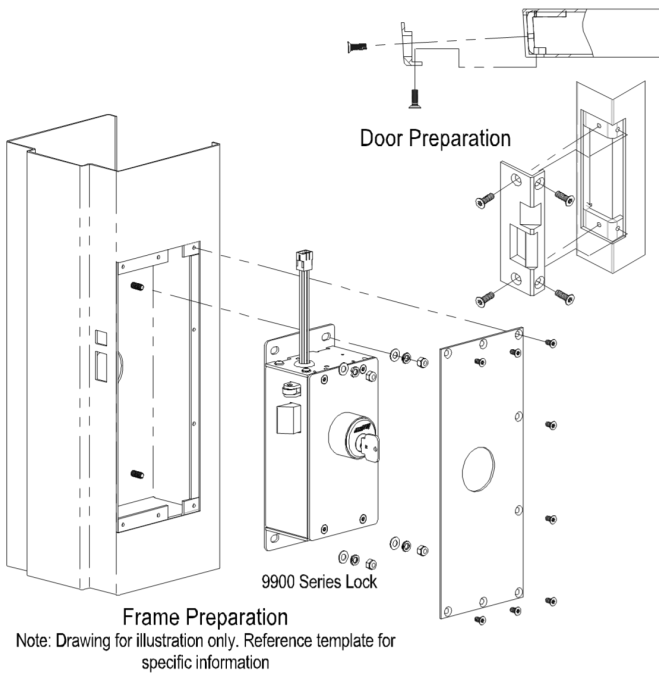
RETROFIT

— SOLUTIONS —

2511 Midpark Road · Montgomery, AL 36109
Phone: 800-466-3007 Fax: 334-286-6421



TECHNICAL SPECIFICATIONS



- **Mogul Cylinder Driver Plate**
- **Body:** All steel construction
- **Dimensions:** 12"H x 5 7/16W x 3 1/2"D
- **Latchbolt:** Hardened Stainless Steel
- **Latchbolt Throw:** 1" - Flush when retracted
- **Deadlock Actuator:** Roller type, stainless steel
- **Lock Status Switch:** 15 amp rated, UL recognized
- **Electrical Power Consumption:**
120 VAC, 1 Phase, 60 Hz
10 amp inrush, 0.6 amp seated
- **Electrical Connector:** Quick Connect electrical plug
- **Strike/Keeper:** Hardened Stainless Steel with pin-torx screws
- **UL10B:** 3 hour fire rating (test pending)

HOW TO SPECIFY AND ORDER AN AIRTEQ 9912S LOCK

WHEN SPECIFYING ...							ALSO SPECIFY... -CYLINDER TYPE & MANUFACTURER									
MODEL NO.	X	"K1" OR "K2"	X	FINISH	X	SCREW HEAD STYLE	X	OPTIONAL FEATURES								
* WHEN ORDERING ...																
MODEL NO.	X	SWING CODE	X	CYL. TYPE & MFR.	X	FRAME CONDITION	X	FINISH	X	SCREW HEAD STYLE	X	OPTIONAL FEATURES	X	JAMB DEPTH (WHERE REQ.)	X	DOOR THK.
EXAMPLE A: SPECIFICATION READS... "KEYED 1 SIDE, MOGUL CYLINDER & KEY SWITCH"																
WHEN SPECIFYING ...																
9912S X K1 X US32D X TORX X KS																
* WHEN ORDERING ...																
9912S X 13 X FR. POCKET X US32D X TORX X KS X 2"DR.																
EXAMPLE B: SPECIFICATION READS... "KEYED 2 SIDES & NO LATCHBACK REQUIRED"																
WHEN SPECIFYING ...																
9912S X K2 X US32D X TORX X NRLB																
* WHEN ORDERING ...																
9912S X 08 X US32D X TORX X NRLB X 9"JD X 2"DR.																
* TEMPLATE NO. AND LATEST REVISIONS SHOULD BE COORDINATED WITH THE DOOR AND FRAME MANUFACTURER																

SWING/HAND CHART

SWING CODE	DOOR HAND DIAGRAM * is COVER PLATE SIDE	SWING CODE	DOOR HAND DIAGRAM * is COVER PLATE SIDE
07 LHRB		08 RHRB	
09 RH		10 LH	
11 LHRB		12 RHRB	
13 RH		14 LH	

Optional Features

- **KR** - Knob Release: Latchbolt is retracted by knob release on one side of lock. Knob is always active. When ordering, specify hinge side (HS) or stop side (SS).

Optional Functions

- **NRLB** - No Remote Latch Back: Latch bolt extends immediately when power is removed or key is moved to the locked position.
- **KS** - Key Switch: Door is electrically unlocked by key operated switch at the lock.
- **KLHB** - Key operated Latch Hold Back: Latch is retracted locally by key and remains mechanically retracted until relocked by key.
- **ELHB** - Emergency Latch Hold Back: Latch bolt is retracted remotely and remains mechanically retracted until relocked at the door by key.

NOTE: PLEASE CONTACT AIRTEQ WHEN MORE THAN ONE FUNCTION IS REQUIRED ON THE SAME LOCK.

Warranty

Airteq warrants its products against defects in material or workmanship for one year from the time of delivery. Airteq's sole obligation under the warranty is to repair, or at its option, to replace the product. The buyer shall have no other remedy. (All special, incidental and coincidental damages are excluded.) Written notice of breach of warranty must be given to Airteq within the warranty period. The warranty does not cover damages resulting from improper installation or maintenance, accident or misuse. NO OTHER WARRANTIES AS TO MERCHANTABILITY OR OTHERWISE ARE MADE. A continuing product research program is ongoing. Airteq reserves the right to incorporate products and specification changes at any time without notice.

MOTORLOCK 9912M-SSA Southern Steel 10120AM (120VAC) Drop-in Replacement

RETROFIT

— SOLUTIONS —



The **9912M-SSA** provides for 120 VAC electric or manual locking / unlocking of swinging doors. It can be operated from a remote location or by key at the door. 9912M-SSA is a drop in replacement lock that fits the Southern Steel 10120AM door prep.

APPLICATION:

Swing door lock for entrances, safety vestibules, corridors, inmate housing. High security door sensor, door closer and heavy duty door pull recommended.

KEY CYLINDER:

Mogul cylinder sold separately.

MOUNTING:

Jamb mounted with either hinge side or stop side access cover.

FIRE RATING:

UL10B - 3 Hour (test pending)

TESTING:

9912M has been tested to 1,000,000 cycles.

STANDARD FEATURES:

- Latch bolt has a full 1" throw
- Slam-locking with automatic mechanical deadlock
- Roller-type deadlock actuator
- Lock status switch indicates deadlocked latchbolt
- Keyed one or two sides
- Stainless Steel Strike/Keeper furnished with tamper resistant screws
- Quick connect electrical connectors
- Factory wired field-side pigtail
- RLB (Remote Latch Back) When unlocked, the latchbolt remains retracted until door is opened
- Plated and Stainless Steel parts

STANDARD OPERATION:

- Latchbolt retracts when power is applied to the lock and remains retracted until the door is opened approximately 2". Door relocks when closed.
- Provides automatic deadlocking, even in the event of a total loss of power.
- Fail secure, unlocks when energized.

AIR/TEQ
RETROFIT

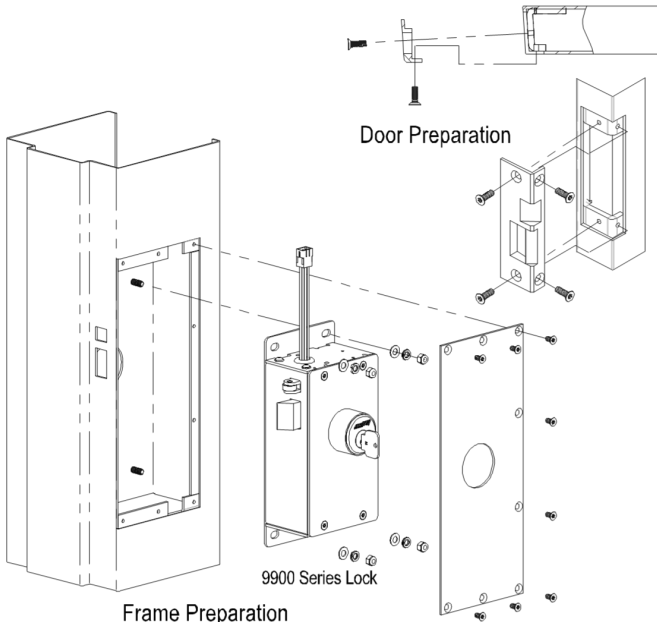
— SOLUTIONS —

2511 Midpark Road · Montgomery, AL 36109
Phone: 800-466-3007 Fax: 334-286-6421



TECHNICAL SPECIFICATIONS

RETROFIT SOLUTIONS



Note: Drawing for illustration only. Reference template for specific information

- **Mogul Cylinder Driver Plate**
- **Body:** All steel construction
- **Dimensions:** 12"H x 5 7/16W x 3 1/2"D
- **Latchbolt:** Hardened Stainless Steel
- **Latchbolt Throw:** 1" - Flush when retracted
- **Deadlock Actuator:** Roller type, stainless steel
- **Lock Status Switch:** 15 amp rated, UL recognized
- **Electrical Power Consumption:**
120 VAC, 1 Phase, 60 Hz
2.5 amp in-rush, 1.75 amp running
- **Electrical Connector:** Quick Connect electrical plug
- **Strike/Keeper:** Hardened Stainless Steel with pin-torx screws
- **UL10B:** 3 hour fire rating (test pending)

HOW TO SPECIFY AND ORDER AN AIRTEQ 9912M LOCK

WHEN SPECIFYING ...							ALSO SPECIFY... -CYLINDER TYPE & MANUFACTURER									
MODEL NO.	X	"K1" OR "K2"	X	FINISH	X	SCREW HEAD STYLE	X	OPTIONAL FEATURES								
* WHEN ORDERING ...																
MODEL NO.	X	SWING CODE	X	CYL. TYPE & MFR.	X	FRAME CONDITION	X	FINISH	X	SCREW HEAD STYLE	X	OPTIONAL FEATURES	X	JAMB DEPTH (WHERE REQ.)	X	DOOR THK.
EXAMPLE A: SPECIFICATION READS... "KEYED 1 SIDE, MOGUL CYLINDER & KEY SWITCH"																
WHEN SPECIFYING ...																
9912M X K1 X US32D X TORX X KS																
* WHEN ORDERING ...																
9912M X 13 X FR. POCKET X US32D X TORX X KS X 2"DR.																
EXAMPLE B: SPECIFICATION READS... "KEYED 2 SIDES, CYLINDER EXTENSION & NO LATCHBACK REQUIRED"																
WHEN SPECIFYING ...																
9912M X K2 X US32D X TORX X NRLB																
* WHEN ORDERING ...																
9912M X 08 X US32D X TORX X NRLB X 9"JD X 2"DR.																
* TEMPLATE NO. AND LATEST REVISIONS SHOULD BE COORDINATED WITH THE DOOR AND FRAME MANUFACTURER																

SWING/HAND CHART

SWING CODE	DOOR HAND DIAGRAM * is COVER PLATE SIDE	SWING CODE	DOOR HAND DIAGRAM * is COVER PLATE SIDE
07 LHRB		08 RHRB	
09 RH		10 LH	
11 LHRB		12 RHRB	
13 RH		14 LH	

Optional Features

- **KR** - Knob Release: Latchbolt is retracted by knob release on one side of lock. Knob is always active. When ordering, specify hinge side (HS) or stop side (SS).

Optional Functions

- **NRLB** - No Remote Latch Back: Latch bolt extends immediately when power is removed or key is moved to the locked position.
- **KLHB** - Key operated Latch Hold Back: Latch is retracted locally by key and remains mechanically retracted until relocked by key.
- **ELHB** - Emergency Latch Hold Back: Latch bolt is retracted remotely and remains mechanically retracted until relocked at the door by key.
- **RLHB** - Remote Latch Hold Back: Latch bolt is retracted by unlock control signal and remains retracted until lock receives a relock control signal. RLHB is typically combined with NRLB.

NOTE: PLEASE CONTACT AIRTEQ WHEN MORE THAN ONE FUNCTION IS REQUIRED ON THE SAME LOCK.

Warranty

Airteq warrants its products against defects in material or workmanship for one year from the time of delivery. Airteq's sole obligation under the warranty is to repair, or at its option, to replace the product. The buyer shall have no other remedy. (All special, incidental and coincidental damages are excluded.) Written notice of breach of warranty must be given to Airteq within the warranty period. The warranty does not cover damages resulting from improper installation or maintenance, accident or misuse. NO OTHER WARRANTIES AS TO MERCHANTABILITY OR OTHERWISE ARE MADE. A continuing product research program is ongoing. Airteq reserves the right to incorporate products and specification changes at any time without notice.

MOTORLOCK 9924-SSA SSCO 10120AM 24VAC (24VDC) Drop-in Replacement

RETROFIT

— SOLUTIONS —



The **9924-SSA** provides for 24 VDC electric or manual locking / unlocking of swinging doors. It can be operated from a remote location or by key at the door. The 9924-SSA is a drop in replacement lock that fits the Southern Steel 10120AM 24VAC door prep.

APPLICATION:

Swing door lock for entrances, safety vestibules, corridors, inmate housing. High security door sensor, door closer and heavy duty door pull recommended.

KEY CYLINDER:

Mogul cylinder sold separately.

MOUNTING:

Jamb mounted with either hinge side or stop side access cover.

FIRE RATING:

UL10B - 3 Hour (test pending)

TESTING:

9924 has been tested to 1,000,000 cycles.

STANDARD FEATURES:

- Latch bolt has a full 1" throw
- Slam-locking with automatic mechanical deadlock
- Roller-type deadlock actuator
- Lock status switch indicates deadlocked latchbolt
- Keyed one or two sides
- Stainless Steel Strike/Keeper furnished with tamper resistant screws
- Quick connect electrical connectors
- Factory wired field-side pigtail
- RLB (Remote Latch Back) When unlocked, the latchbolt remains retracted until door is opened
- Plated and Stainless Steel parts

STANDARD OPERATION:

- Latchbolt retracts when power is applied to the lock and remains retracted until the door is opened approximately 2". Door relocks when closed.
- Provides automatic deadlocking, even in the event of a total loss of power.
- Fail secure, unlocks when energized.

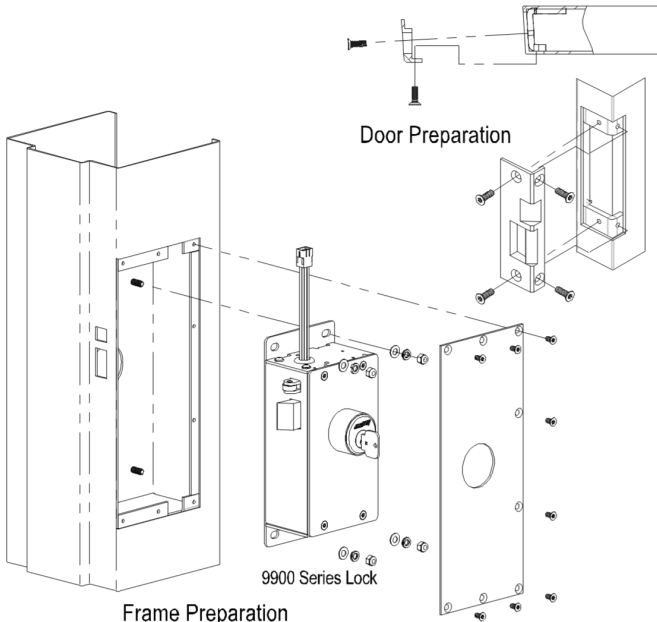
AIRTEQ RETROFIT

— SOLUTIONS —

2511 Midpark Road · Montgomery, AL 36109
Phone: 800-466-3007 Fax: 334-286-6421



TECHNICAL SPECIFICATIONS



Note: Drawing for illustration only. Reference template for specific information

- **Mogul Cylinder Driver Plate**
- **Body:** All steel construction
- **Dimensions:** 12"H x 5 7/16W x 3 1/2"D
- **Latchbolt:** Hardened Stainless Steel
- **Latchbolt Throw:** 1" - Flush when retracted
- **Deadlock Actuator:** Roller type, stainless steel
- **Lock Status Switch:** 15 amp rated, UL recognized
- **Electrical Power Consumption:**
24 VDC, 3.5 amp in-rush, 0.32 amp running
- **Electrical Connector:** Quick Connect electrical plug
- **Strike/Keeper:** Hardened Stainless Steel with pin-torx screws
- **UL10B:** 3 hour fire rating (test pending)

HOW TO SPECIFY AND ORDER AN AIRTEQ 9924 LOCK

WHEN SPECIFYING ...							ALSO SPECIFY... -CYLINDER TYPE & MANUFACTURER									
MODEL NO.	X	"K1" OR "K2"	X	FINISH	X	SCREW HEAD STYLE	X	OPTIONAL FEATURES								
* WHEN ORDERING ...																
MODEL NO.	X	SWING CODE	X	CYL. TYPE & MFR.	X	FRAME CONDITION	X	FINISH	X	SCREW HEAD STYLE	X	OPTIONAL FEATURES	X	JAMB DEPTH (WHERE REQ.)	X	DOOR THK.
EXAMPLE A: SPECIFICATION READS... "KEYED 1 SIDE, MOGUL CYLINDER & KEY SWITCH"																
WHEN SPECIFYING ...																
9924 X K1 X US32D X TORX X KS																
* WHEN ORDERING ...																
9924 X 13 X FR. POCKET X US32D X TORX X KS X 2"DR.																
EXAMPLE B: SPECIFICATION READS... "KEYED 2 SIDES, CYLINDER EXTENSION & NO LATCHBACK REQUIRED"																
WHEN SPECIFYING ...																
9924 X K2 X US32D X TORX X NRLB																
* WHEN ORDERING ...																
9924 X 08 X US32D X TORX X NRLB X 9"JD X 2"DR.																
* TEMPLATE NO. AND LATEST REVISIONS SHOULD BE COORDINATED WITH THE DOOR AND FRAME MANUFACTURER																

SWING/HAND CHART

SWING CODE	DOOR HAND DIAGRAM * is COVER PLATE SIDE	SWING CODE	DOOR HAND DIAGRAM * is COVER PLATE SIDE
07 LHRB		08 RHRB	
09 RH		10 LH	
11 LHRB		12 RHRB	
13 RH		14 LH	

Optional Features

- **KR** - Knob Release: Latchbolt is retracted by knob release on one side of lock. Knob is always active. When ordering, specify hinge side (HS) or stop side (SS).

Optional Functions

- **NRLB** - No Remote Latch Back: Latch bolt extends immediately when power is removed or key is moved to the locked position.
- **KLHB** - Key operated Latch Hold Back: Latch is retracted locally by key and remains mechanically retracted until relocked by key.
- **ELHB** - Emergency Latch Hold Back: Latch bolt is retracted remotely and remains mechanically retracted until relocked at the door by key.
- **RLHB** - Remote Latch Hold Back: Latch bolt is retracted by unlock control signal and remains retracted until lock receives a relock control signal. RLHB is typically combined with NRLB.

NOTE: PLEASE CONTACT AIRTEQ WHEN MORE THAN ONE FUNCTION IS REQUIRED ON THE SAME LOCK.

Warranty

Airteq warrants its products against defects in material or workmanship for one year from the time of delivery. Airteq's sole obligation under the warranty is to repair, or at its option, to replace the product. The buyer shall have no other remedy. (All special, incidental and coincidental damages are excluded.) Written notice of breach of warranty must be given to Airteq within the warranty period. The warranty does not cover damages resulting from improper installation or maintenance, accident or misuse. NO OTHER WARRANTIES AS TO MERCHANTABILITY OR OTHERWISE ARE MADE. A continuing product research program is ongoing. Airteq reserves the right to incorporate products and specification changes at any time without notice.

Airlock 9500-PH
Portland Hardware PH 500
(24VDC) 8fcd!]b Replacement

RETROFIT
—≡≡ SOLUTIONS ≡≡—

Availabe 1/15/2023

Airlock 9500-PH
Portland Hardware PH 500
(24VDC) 8fcd!]b Replacement

RETROFIT
— || SOLUTIONS || —

Availabe 6/15/2024

RETROFIT KIT

RETROFIT

SOLUTIONS

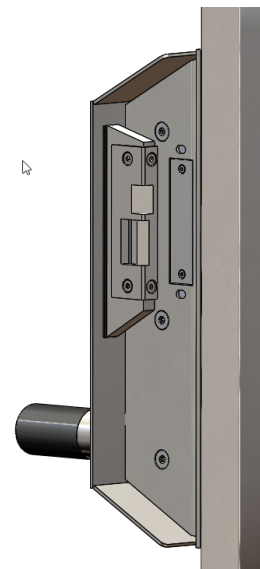
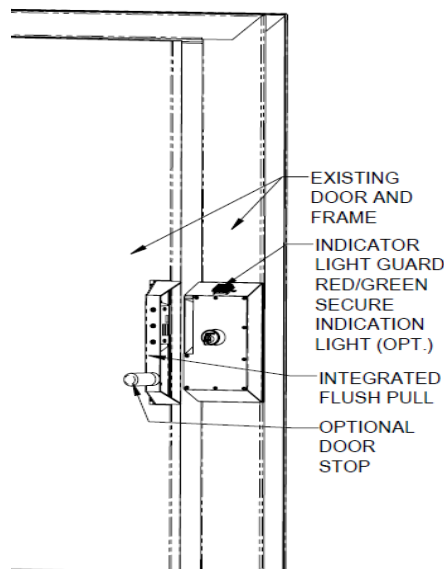
Great Affordable Solutions for:

- ✓ Replacing obsolete or sub-standard locks
- ✓ Adding remote capability to existing manual doors

Airteq Defender

Allows for the replacement of existing locks from any manufacturer with a high security UL Listed electric lock.

- ▶ ASTM - Lock Tested
- ▶ Surface Mounted
- ▶ Anti-Suicide Design
- ▶ Designed To Prevent 'Sheeting' Or 'Popping' Of The Latchbolt
- ▶ Existing Mogul Or Mortise Key Cylinders May Be Reused If Desired
- ▶ Integral Security Door Position Switch (DPS) Available
- ▶ LED Secure Door Indicator Option
- ▶ Optional Door Stop on Integrated Flush Pull



RETROFIT KIT

RETROFIT

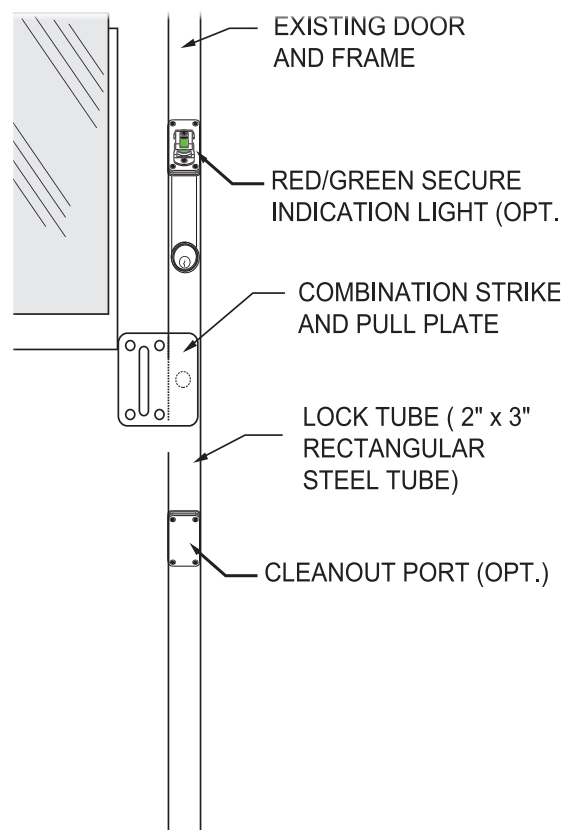
SOLUTIONS

Great Affordable Solutions for:

- ✓ Replacing obsolete or sub-standard locks
- ✓ Adding remote capability to existing manual doors

AIRTEQ 9500/9524 SERIES RETROFIT KIT allows for the replacement of existing locks from any manufacturer with a high security Airteq® motorized (9524) or pneumatic (9500) lock.

- Kit consists of a lock-tube which is welded to the existing frame and a strike/pull plate which is mounted to the door. Available for keyed one side and keyed both sides application.
- An existing door position sensor can be tied into the new lock, or a new Airteq® 6200 DPS can be integrated into the lock-tube and strike/pull.
- The lock-tubes can be provided in standard 36" height, a custom height to run from floor to ceiling, or any size in between. Existing mortise key cylinders can be reused if desired.
- **Easily replaces obsolete or deficient locks without frame or door modification**
- **Available with integral DPS, secure indication light(s), cleanout port**
- **Existing mortise key cylinders can be reused if desired**

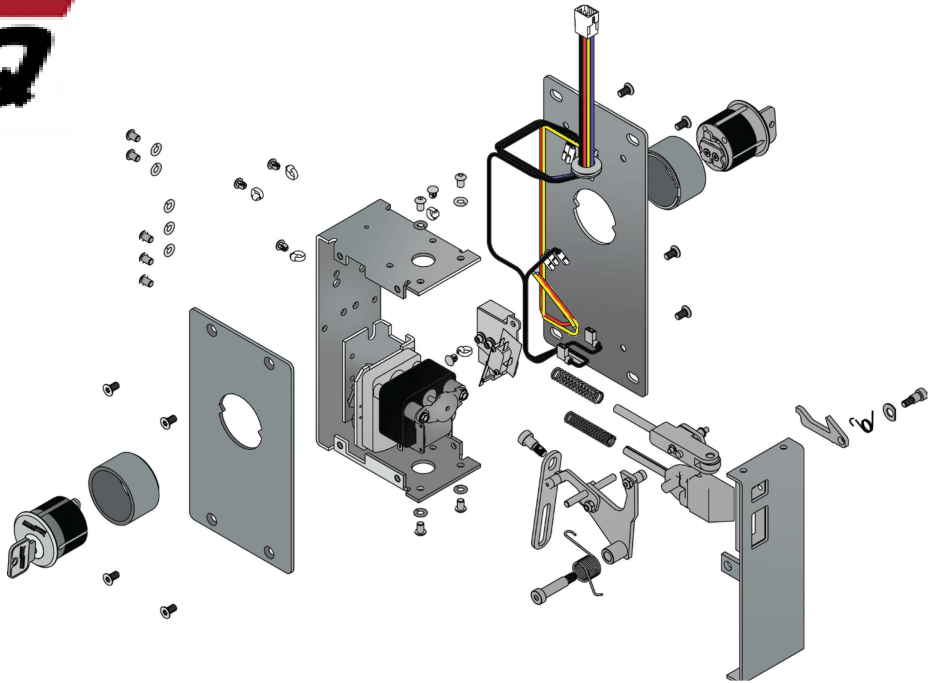


BUY DIRECT ONLINE



"Shop Airteq"

Order online at
www.airteq.com



Your Direct Connection to Original Equipment Parts!



- ▶ **Fast Delivery**
Ships straight from the factory
- ▶ **Expert Sales & Tech Support**
Ensures you get the correct part
- ▶ **Convenient Payment Option**
All major credit cards accepted
- ▶ **Original Equipment Parts**
Guarantees Quality

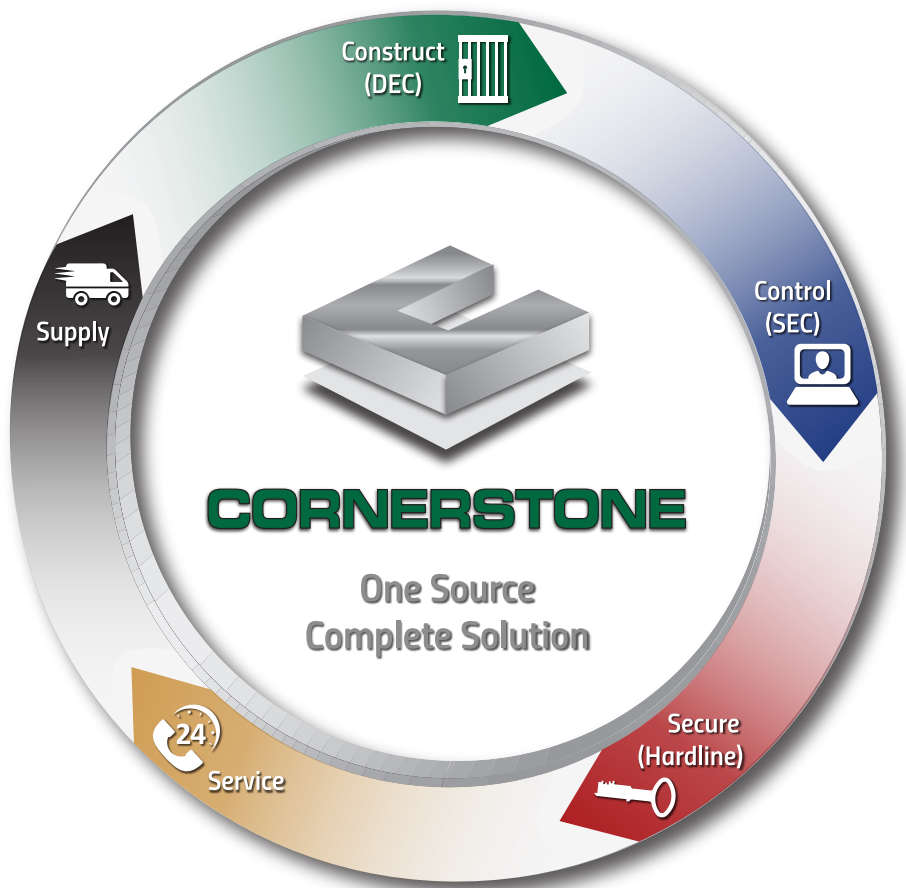


2511 Midpark Road
Montgomery, AL 36109

800.466.3007
www.airteq.com

THE COMPANY

Cornerstone specializes in the manufacture, distribution, design and installation of institutional detention equipment and products. With the recent acquisitions of similar companies, our synergies will help our customers. Cornerstone has positioned itself as one of the leading suppliers of detention products in North America. We will continue development of our existing product lines and to introduce new products in this industry while expanding internationally.



“ We will always conduct our business with character, integrity and awareness.”



*C. Mitch Claborn
President and CEO
Cornerstone*